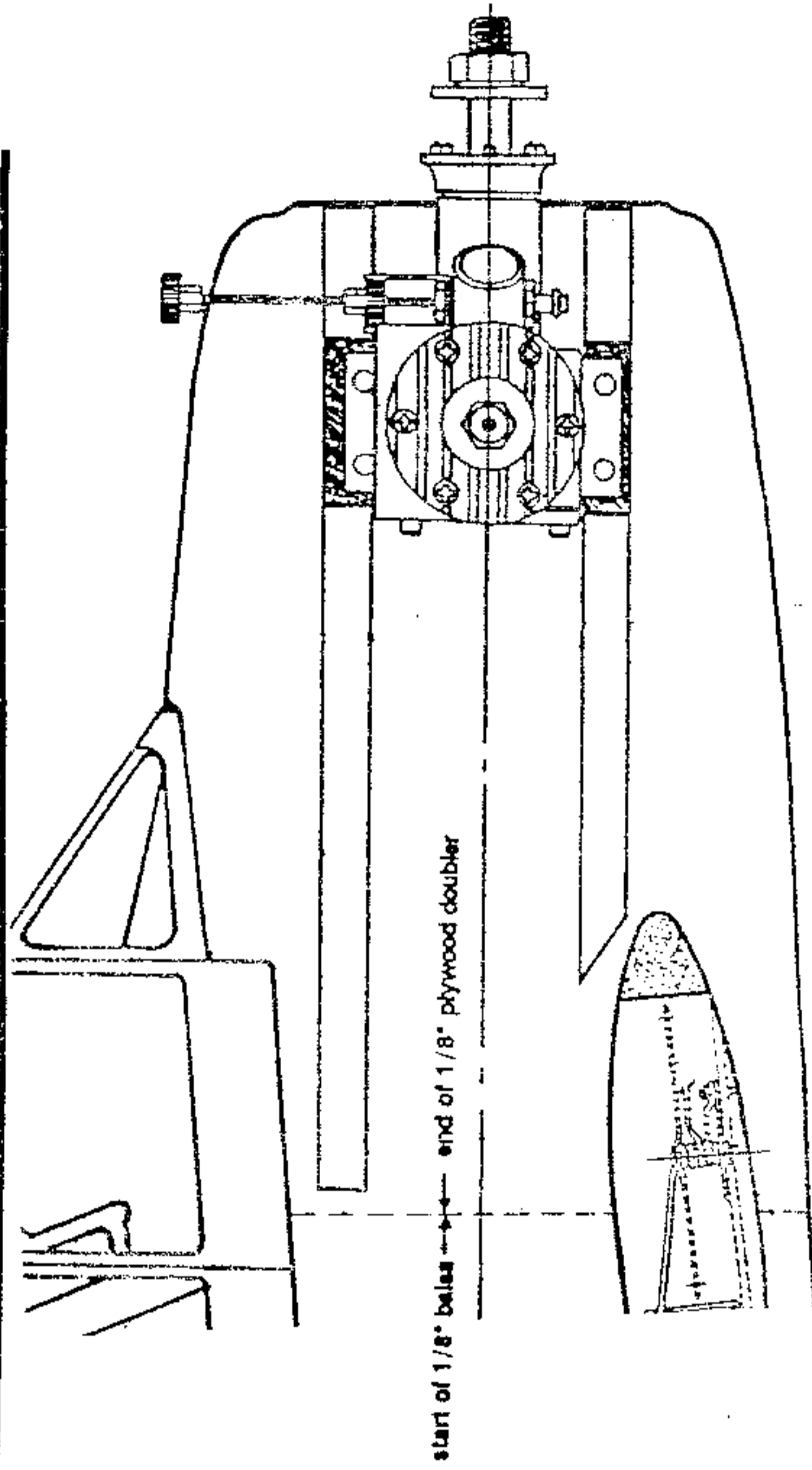
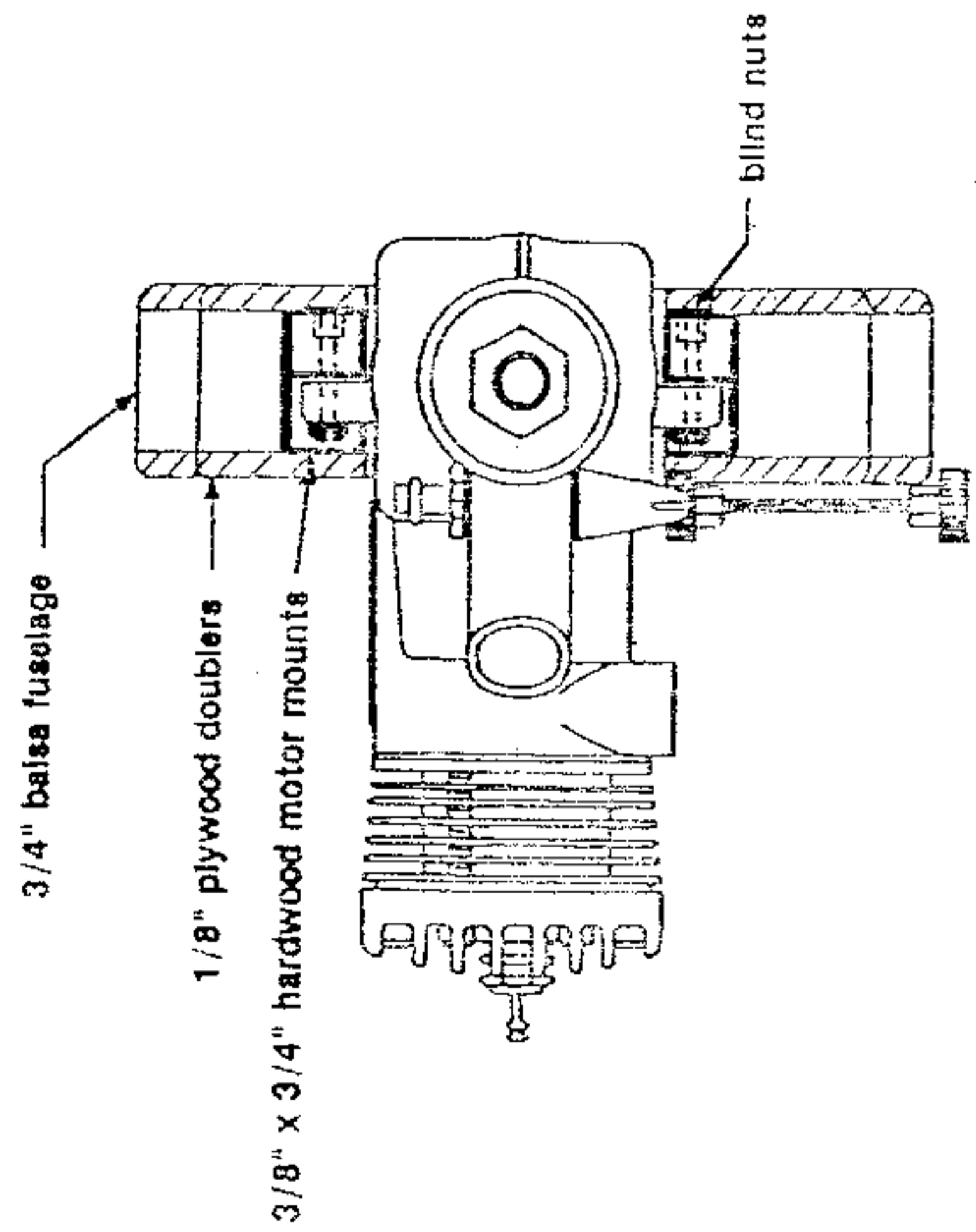


# The art of centering engines in profile Scale models

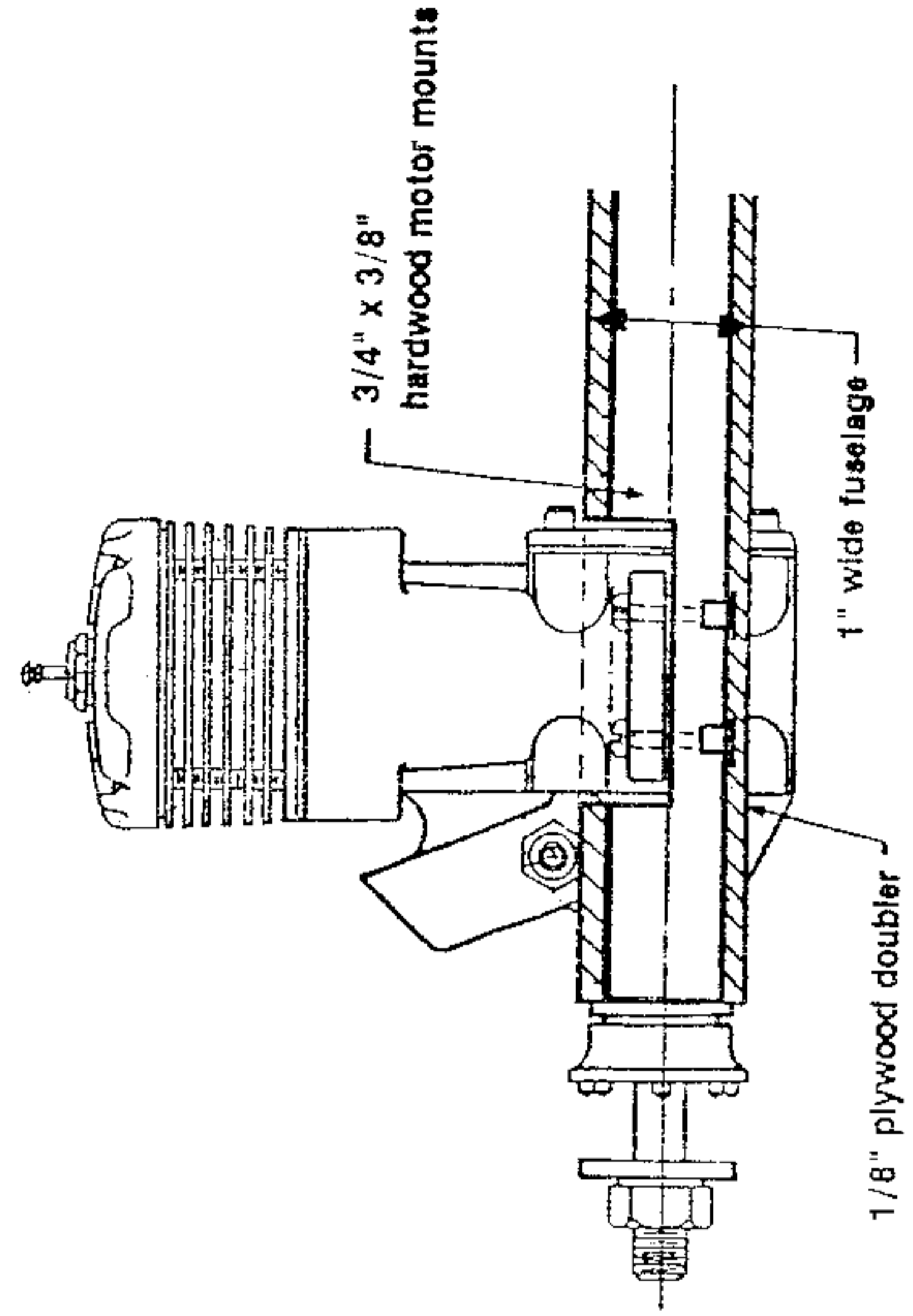


**SIDE VIEW**

(outboard ply omitted for clarity)



**FRONT VIEW**



**TOP VIEW**