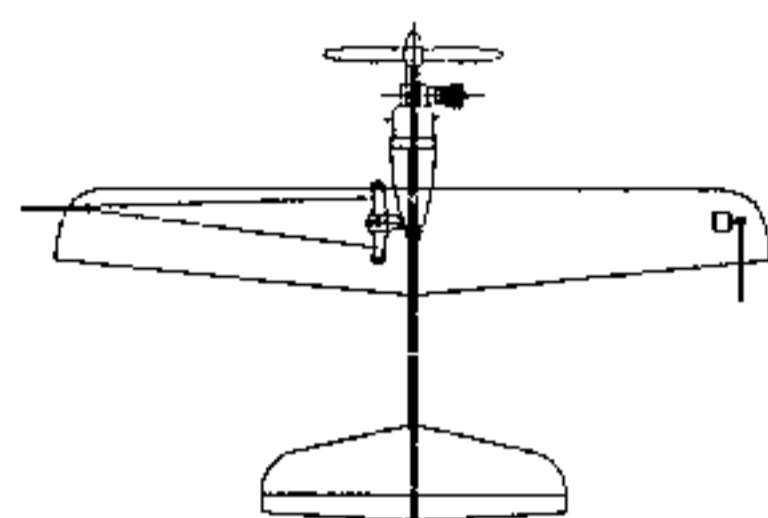
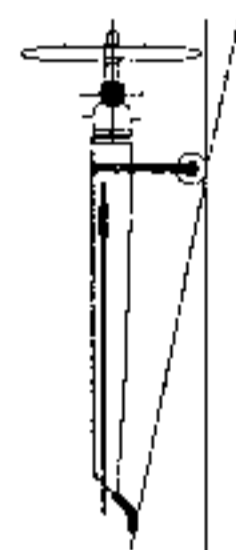


# MAYER MODEL AIRCRAFT DESIGN

# MMAD!

DOUGLAS MAYER  
201 N. WAYFIELD, #35  
ORANGE, CA 92867  
(810) 782-0138  
MAYER@KMD-ARCH.COM

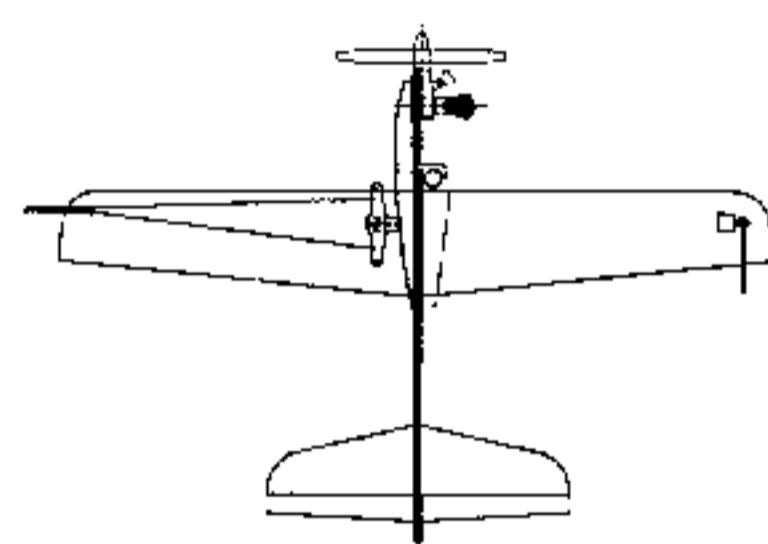
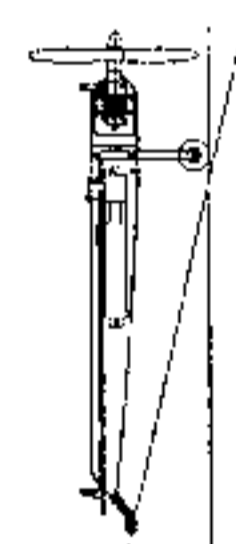
CUSTOM CONTROL LINE RACERS - DESIGNED BY DOUGLAS MAYER  
© COPYRIGHT 2000



## TURBO 1X MOUSE

MOUSE CLASS 1 RACER FOR AMA EVENT 313

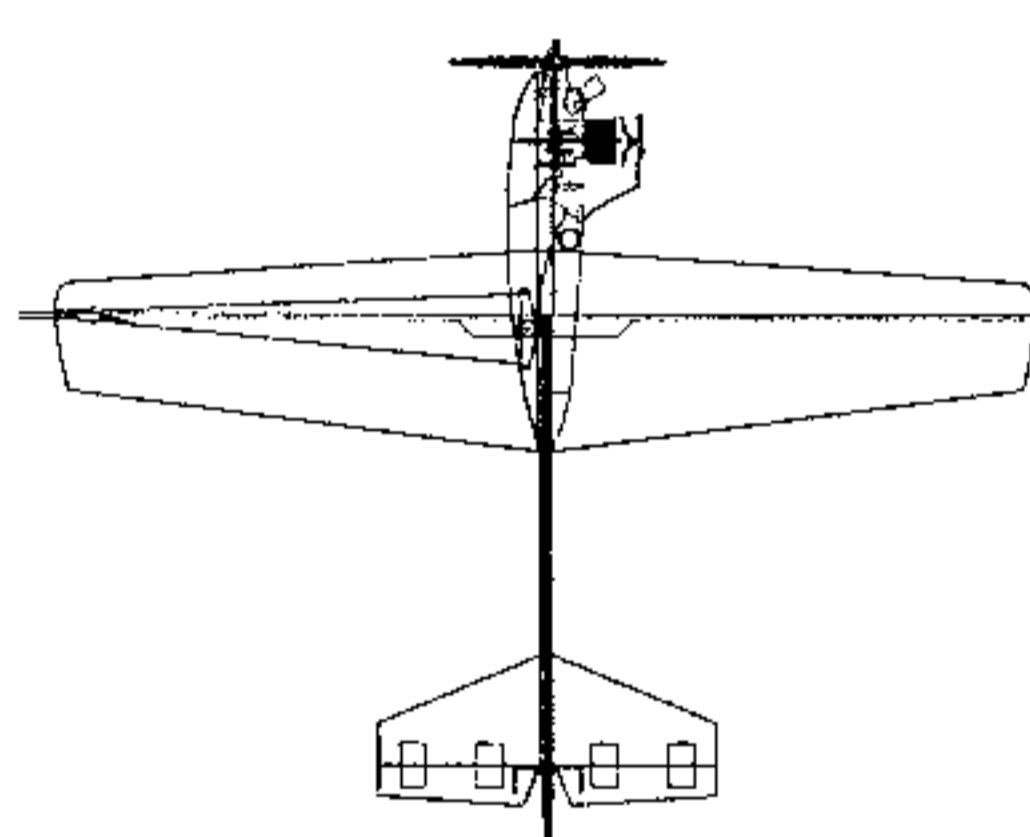
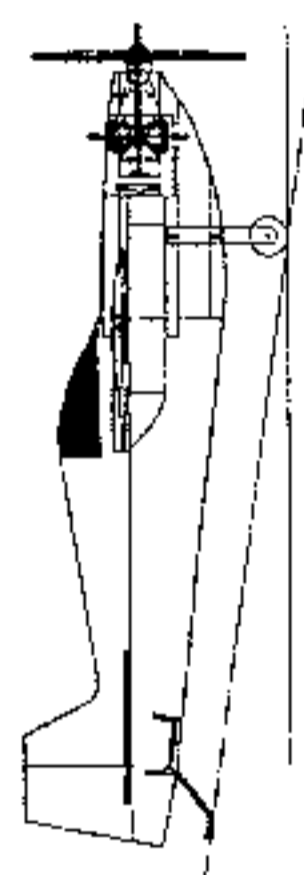
WINGSPAN: 20"  
LENGTH: 14"  
DESIGNED FOR COX .049 REED VALVE MOTOR  
\$10.00 FOR DRAWINGS



## TURBO 2X MOUSE

MOUSE CLASS 2 RACER FOR AMA EVENT 314

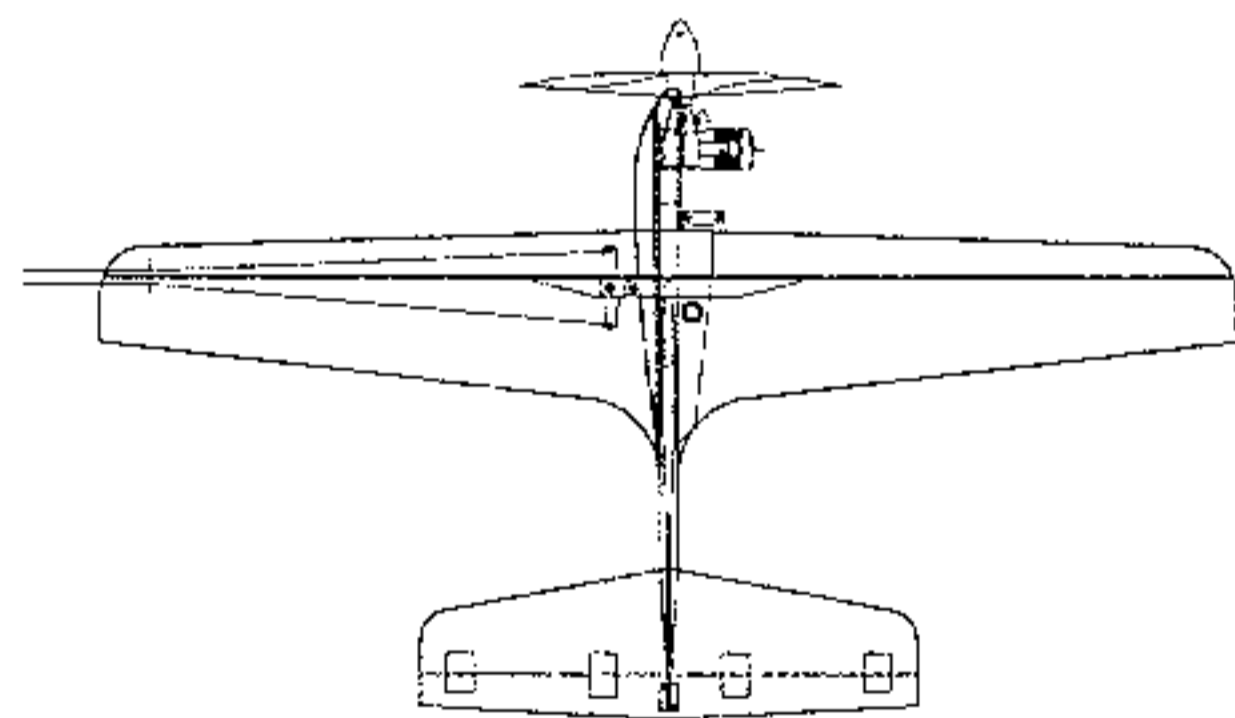
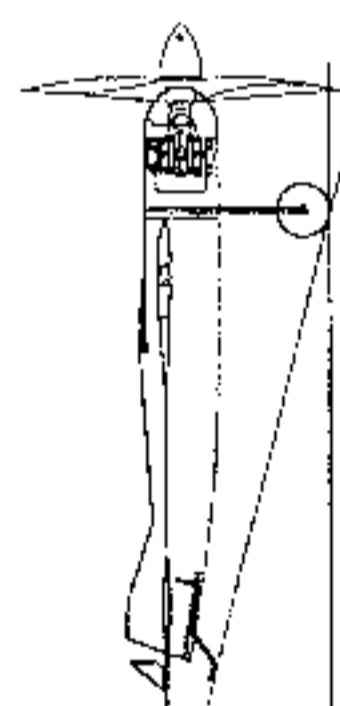
WINGSPAN: 20"  
LENGTH: 14"  
DESIGNED FOR COX .049 TEE DEE MOTOR OR EQUIVALENT  
\$10.00 FOR DRAWINGS



## DICK OHM SPECIAL

AMA SCALE RACER FOR AMA EVENT 317

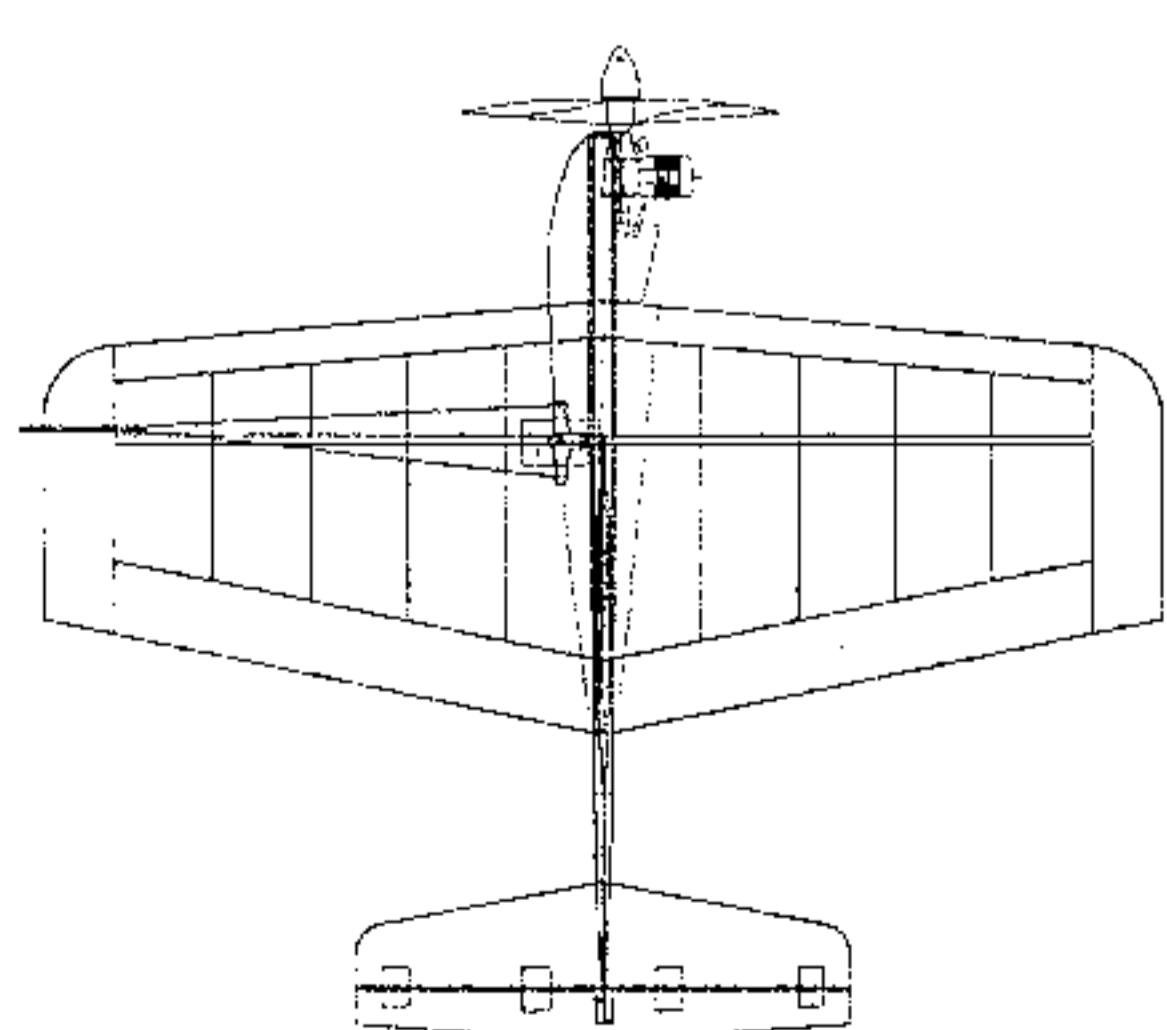
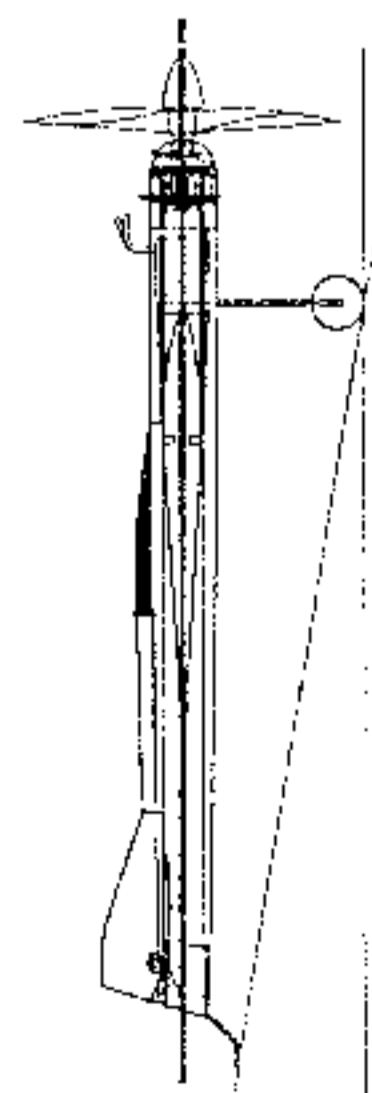
WINGSPAN = 27-1/2"  
LENGTH = 22-1/2"  
DESIGNED FOR NELSON OR ROSSI .15 MOTOR OR EQ.  
\$15.00 FOR DRAWINGS



## ALLEY RAT

TEXAS QUICKIE RAT RACER FOR 2000 NCLRA RULES

WINGSPAN = 32"  
LENGTH = 18"  
DESIGNED FOR K&B .40 MOTOR OR EQUIVALENT  
\$15.00 FOR DRAWINGS



## MILLENNINUM FOX

FOX RACER FOR 2000 NCLRA FOX RACE RULES

WINGSPAN = 31-1/2"  
LENGTH = 24-1/2"  
DESIGNED FOR FOX STUNT .35 MOTOR  
\$15.00 FOR DRAWINGS