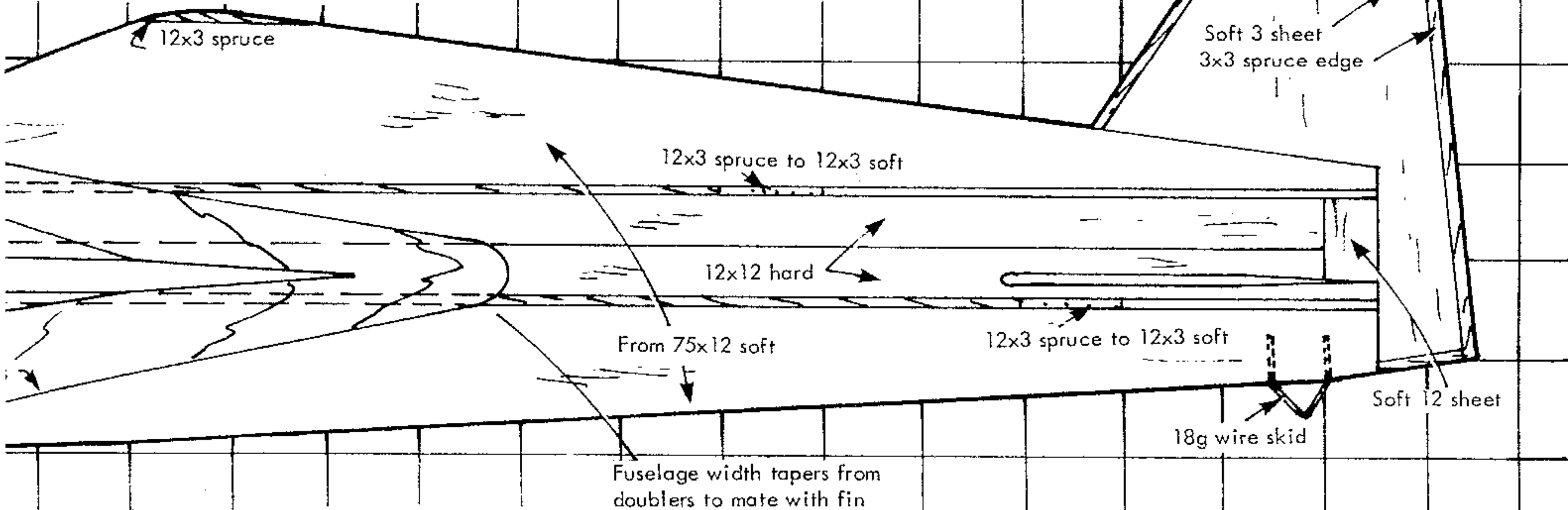


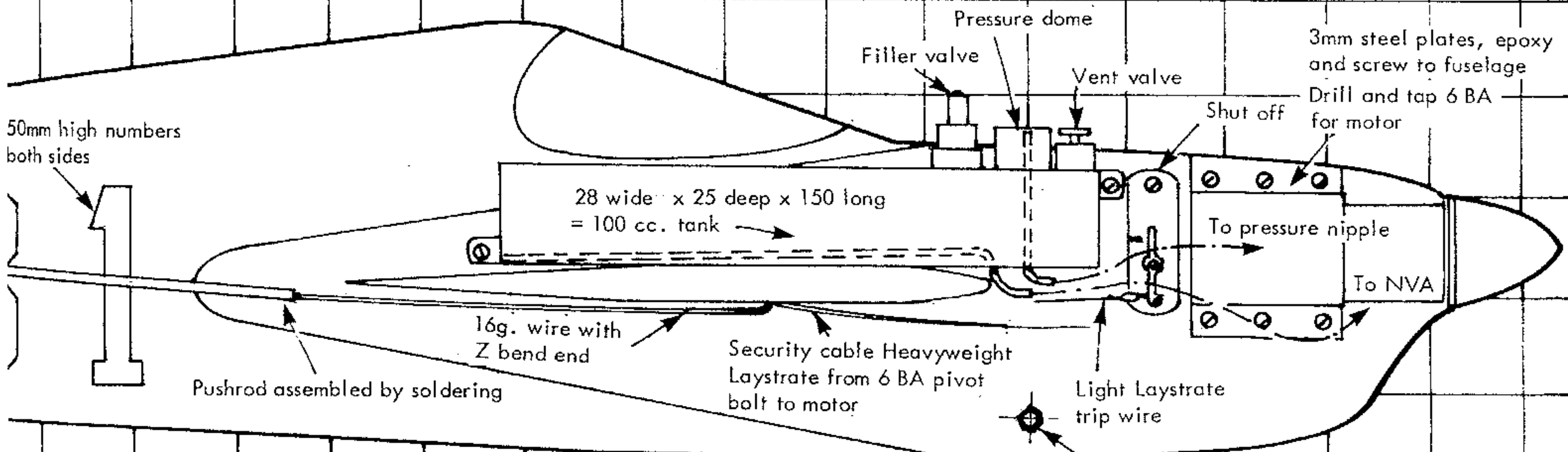
MODEL LENGTH 560mm SPAN 600mm.

arkson Mechanic- Ed Needham



se span, reduce chord, enlarge tail, reduce fuselage depth  
elage, since all permitted deviations from scale are used.

ENTIRE MODEL COVERED IN 20g/m<sup>2</sup> GLASS CLOTH  
MODEL SHOWN FOR ROSSI 15D F1 MOTOR USING CRANKCASE PRESSURE FUEL FEED



Spray colour entire model  
paint cockpit contrasting shade

HALF FULL SIZE SIDE AND PLAN VIEWS  
ONE INCH SQUARES

